

# Single-phase PV Energy Storage Inverter

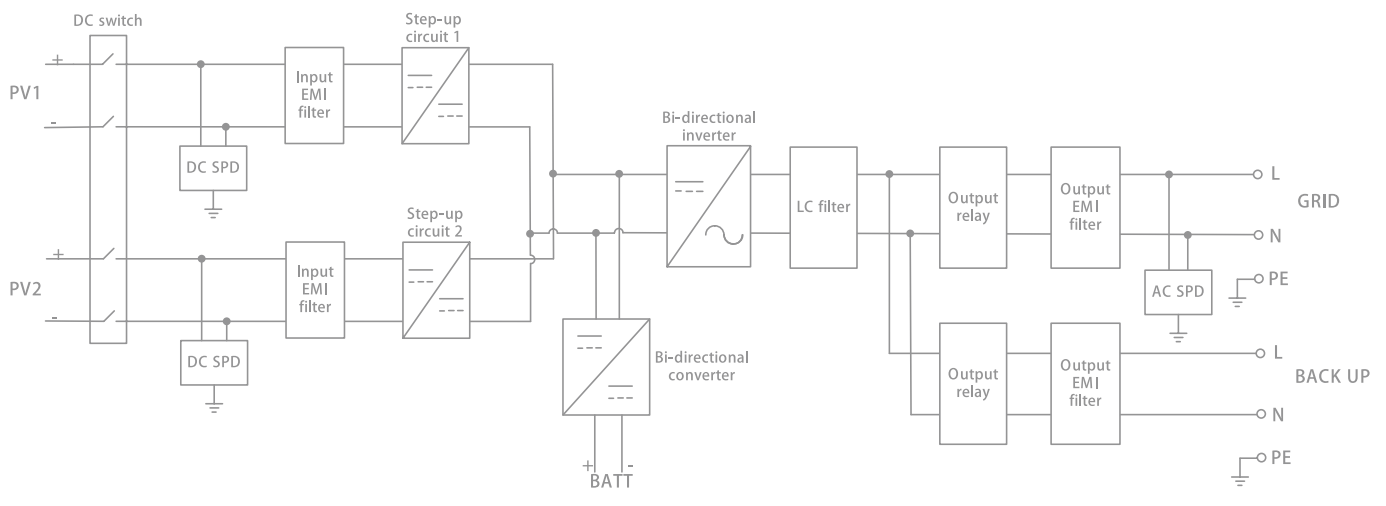
SPH3000~5000-BL



## Product Features

- Easy installation and suitable for outdoor use (BL model)
- Super silence design, noise <25dB
- Maximum efficiency: 97.8%
- Ultra wide MPPT range: 125Vdc - 550Vdc
- Full automatic control, easy and simple operation
- APP can control the state of the system in real time
- Smart battery management function, flexibly compatible with multiple types of energy storage batteries
- Wall mounted and rack installation (optional)

## Function Diagram



## Technical Specification

Items	SPH3600-BL	SPH5000-BL
DC input		
Maximum PV array power	4000W	5500W
Maximum PV array open-circuit voltage	600Vdc	
MPPT voltage range	125-550Vdc	
Maximum input current	2 × 11A	
Number of MPPT circuits / Input circuits	2/2 (parallel connection is available)	
On-grid output		
Rated power	3600W	5000W
Rated output voltage	220/230/240Vac	
Voltage range of interconnected grid	-10%~+10% (settable)	
Frequency range of interconnected grid	47.5Hz~52.5Hz/57.5Hz~62.5Hz	
Rated output current	15.7A	21.7A
Power factor	>0.99 (at rated power)/0.8 (leading)~0.8 (lagging)	
Maximum efficiency	97.80%	
European efficiency	97.20%	
THDi	<1.5% (at rated power)	
Battery inverter (emergency mode)		
Rated output voltage	220/230/240Vac	
Output frequency	50(60) ± 0.5Hz	
Output power	2500W/3500VA	
Switchover time	6ms	
Voltage harmonic	<2% (linear load)	
Charge/Discharge		
Rated voltage	48Vdc	
Maximum charging power	2500W (settable)	
Maximum charge current	50A (settable)	
Maximum discharge power	2500W	
Maximum discharge current	60A	
Accumulator configuration type	Ferric phosphate / three-element lithium / lead acid / lead carbon	
System		
Installation mode	Wall-mounted	
Level of protection	IP65	
Cooling mode	Natural air cooling	
Noise	<25dB	
Human-machine interface	LED/Cloud monitoring mobile APP	
Relative humidity	0 ~ 100%	
Working temperature	-25°C ~+60°C	
Installation altitude	3000m	
Grid connection standard	VDE0126-1-1, VDE-AR-N4105,G83/2, G59/3, AS4777.2/.3, ERDF, CEI 0-21	
Safety regulation	IEC62109-1, IEC62109-2, AS62040-1-1	
EMC	EN61000-6-3, EN61000-6-2	
Communication interface	RS485 (standard, Modbus protocol) /WiFi (optional) /GPRS (optional)	
Optional components	DC switch, CT, electric meter	
Dimensions (W × H × D)	480 × 186 × 420mm	
Weight	25kg	

\* Specifications are subject to change without prior notice.